

VERSION 1.1

MUSWAY

MUSIC IS THE WAY

M4+

4-CHANNEL CLASS D AMPLIFIER
WITH 8-CHANNEL DSP

TECHNICAL SPECIFICATIONS

POWER SUPPLY

Voltage:	7 - 15 VDC
Idle current:	1.2 A
Switched off:	<0.1 mA
Consumption @ 13.8 VDC 2 Ω Max. Musical Power :	40 A
Remote IN:	7,5 - 15 VDC (1 mA)
Remote OUT:	7,5 - 15 VDC (200 mA)
Fuse:	40 A

AMPLIFIER STAGE

Distortion - THD (1 kHz @ 4 Ω , 90% Power):	0.05 %
Bandwidth (-3 dB, 2 V RMS, 4 Ω):	15 Hz - 22 kHz
S/N ratio @ A weighted, 1 V, Max. Power:	95 dB A
Damping factor @ 1 kHz, 2 V RMS, 4 Ω :	> 70
Input sensitivity:	3.5 V -11 V RMS (High-level); 1.5 V - 4.5 V RMS (Low-level)
Input impedance:	13 Ω (High-level); 47 k Ω (Low-level)
LOAD IMPEDANCE (MIN):	
4CH:	2 Ω
2CH - Bridge (1-2) (3-4):	4 Ω
OUTPUT POWER (RMS) @ 13.8 VDC, 1% THD:	
4CH @ 4 Ω :	100 W x 4
4CH @ 2 Ω :	135 W x 4
2CH - (Bridge 1/2; 3/4) @ 4 Ω :	270 W x 2

SIGNAL OUTPUTS

RCA CH5 / CH6 / CH7 / CH8 OUT:	4 V RMS Max.
--------------------------------	--------------

Declaration of Conformity

Audio Design GmbH hereby declares that the MUSWAY M4+ device complies with Directive 2014/53/EU. The full declaration of conformity can be viewed at www.musway.de/CE

DIGITAL SIGNAL PROCESSOR (32 bit Clock speed: 330 MHz)

Crossover:	Full / Hi Pass / Lo Pass / Band Pass
Crossover type and slope:	Bessel / Butterworth / Linkwitz @ 12/18/24/30/36/42/48 dB
Crossover Frequency:	1 Hz step @ 20 Hz - 20 kHz
Phase inversion:	0° / 180°
Output Equalizer:	31-Band Parametrical Equalizer: ±12 dB
Time Alignment Distance:	0 - 692 cm
Time Alignment Delay:	0 - 20 ms
Time Alignment Step:	0,08 ms; 2,8 cm
Time Alignment Fine Set:	0,02 ms; 0,7 cm
Presets (Local Stored):	6 Presets

GENERAL REQUIREMENTS

PC connections	Micro USB (1.1 / 2.0 / 3.0)
Software/PC requirements:	Microsoft Windows (32/64 bit): XP, Vista, Windows 7, Windows 8, Windows 10
Graphic card min. resolution:	1024 x 768
Ambient operating temperature range:	0 - 55 °C

SIZE / WEIGHT

Size without brackets (mm):	150 x 44 x 200
Net Weight (kg):	1,6

SCOPE OF DELIVERY

- 1 x M4+ DSP Amplifier
- 1 x 2,5 m ISO Cable Harness with System Connector incl. 20 A Fuse
- 1 x 1,5 m USB Cable
- 1 x 6-pole Cable Adapter (INPUT CH5/6, REM IN/OUT)
- 4 x Mounting Bracket incl. Screws
- 1 x Owner's Manual (English/German)
- 1 x 40 A replacement fuse
- 1 x 3 mm hex key

SAFETY INSTRUCTIONS

THE PURCHASED DEVICE IS ONLY SUITABLE FOR AN OPERATION WITH A 12V ON-BOARD ELECTRICAL SYSTEM OF A VEHICLE. Otherwise fire hazard, risk of injury and electric shock consists.

PLEASE DO NOT MAKE ANY OPERATION OF THE SOUND SYSTEM, WHICH DISTRACT YOU FROM A SAFE DRIVING. Do not make any procedures, which demand a longer attention. Perform these operations not until you have stopped the vehicle on a safe place. Otherwise the risk of accident consists.

ADJUST THE SOUND VOLUME TO AN APPROPRIATE LEVEL, THAT YOU ARE STILL ABLE TO HEAR EXTERIOR NOISES WHILE DRIVING. High performance sound systems in vehicles may generate the acoustic pressure of a live concert. The permanent listening to extreme loud music may cause the loss of your hearing abilities. The hearing of extreme loud music while driving may derogate your cognition of warning signals in the traffic. In the interests of the common safeness, we suggest to drive with a lower sound volume. Otherwise the risk of accident consists.

DO NOT COVER COOLING VENTS AND HEAT SINKS. Otherwise this may cause heat accumulation in the device and fire hazard consists.

DO NOT OPEN THE DEVICE. Otherwise fire hazard, risk of injury and electric shock consists. Also this may cause a loss of the warranty.

REPLACE FUSES ONLY WITH FUSE WITH THE SAME RATING. Otherwise fire hazard and risk of electric shock consists.

DO NOT USE THE DEVICE ANY LONGER, IF A MALFUNCTION OCCURS, WHICH REMAINS NOT REMEDIED. Refer in this case to the chapter TROUBLE SHOOTING. Otherwise risk of injury and the damage of the device consists. Commit the device to an authorized retailer.

INTERCONNECTION AND INSTALLATION SHOULD BE ACCOMPLISHED BY SKILLED STAFF ONLY. The interconnection and installation of this device demands technical aptitude and experience. For your own safeness, commit the interconnection and installation to your car audio retailer, where you have purchased the device.

DISCONNECT THE GROUND CONNECTION FROM THE VEHICLE'S BATTERY BEFORE INSTALLATION. Before you start with the installation of the sound system, disconnect by any means the ground supply wire from the battery, to avoid any risk of electric shock and short circuits.

CHOOSE AN APPROPRIATE LOCATION FOR THE INSTALLATION OF THE DEVICE. Look for an appropriate location for the device, which ensures a sufficient air circulation. The best places are spare wheel cavities, and open spaces in the trunk area. Less suitable are storage spaces behind the side coverings or under the car seats.

DO NOT INSTALL THE DEVICE AT LOCATIONS, WHERE IT WILL BE EXPOSED TO HIGH HUMIDITY AND DUST. Install the device at a location, where it will be protected from high humidity and dust. If humidity and dust attain inside the device, malfunctions may be caused.

MOUNT THE DEVICE AND OTHER COMPONENTS OF THE SOUND SYSTEM SUFFICIENTLY. Otherwise the device and components may get loose and act as dangerous objects, which could cause serious harm and damages in the passenger room.

ENSURE CORRECT CONNECTION OF ALL TERMINALS. Faulty connections may could cause fire hazard and lead to damages of the device.

MOUNT THE DEVICE AND OTHER COMPONENTS OF THE SOUND SYSTEM SUFFICIENTLY. Otherwise the device and components may get loose and act as dangerous objects, which could cause serious harm and damages in the passenger room.

ENSURE NOT TO DAMAGE COMPONENTS, WIRES AND CABLES OF THE VEHICLE WHEN YOU DRILL THE MOUNTING HOLES. If you drill the mounting holes for the installation into the vehicle's chassis, ensure by any means, not to damage, block or tangent the fuel pipe, the gas tank, other wires or electrical cables.

DO NOT INSTALL AUDIO CABLES AND POWER SUPPLY WIRES TOGETHER. Ensure while installation not to lead the audio cables between the head unit and the processor together with the power supply wires on the same side of the vehicle. The best is a areal separated installation in the left and right cable channel of the vehicle. Therewith a overlap of interferences on the audio signal will be avoided. This stands also for the equipped bass-remote wire, which should be installed not together with the power supply wires, but rather with the audio signal cables.

ENSURE THAT CABLES MAY NOT CAUGHT UP IN CLOSE-BY OBJECTS. Install all the wires and cables like described on the following pages, therewith these may not hinder the driver. Cables and wires which are installed close-by the steering wheel, gear lever or the brake pedal, may caught up and cause highly dangerous situations.

DO NOT SPLICE ELECTRICAL WIRES. The electrical wires should not be bared, to provide power supply to other devices. Otherwise the load capacity of the wire may get overloaded. Use therefor a appropriate distribution block. Otherwise fire hazard and risk of electric shock consists.

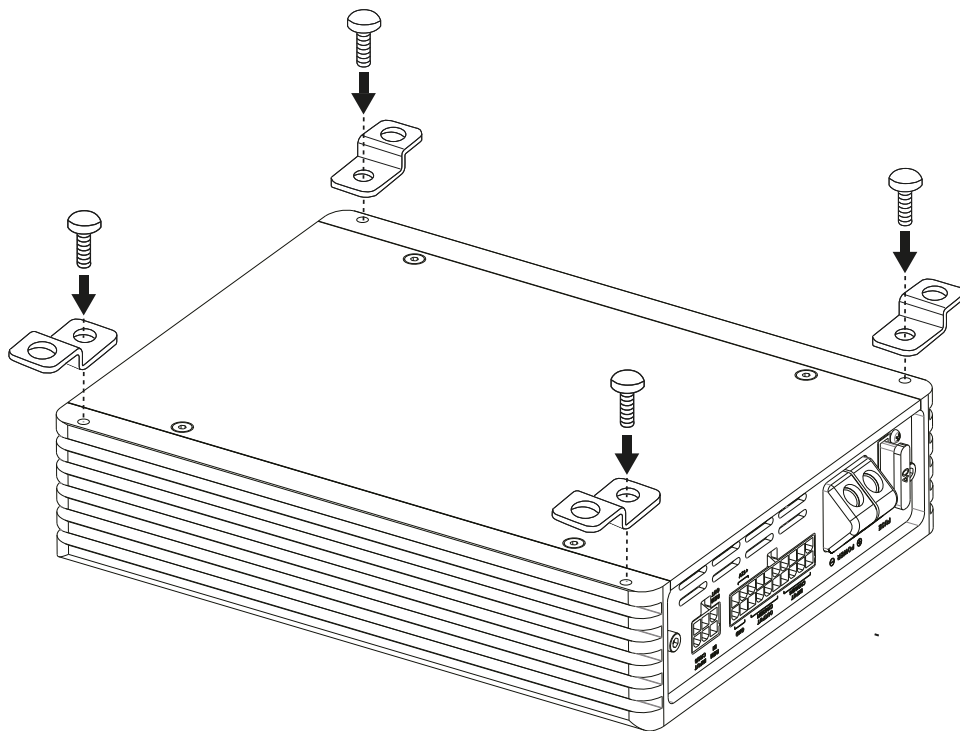
DO NOT USE BOLTS AND SCREW NUTS OF THE BRAKE SYSTEM AS GROUND POINT. Never use for the installation or the ground point bolts and screw-nuts of the brake system, steering system or other security-relevant components. Otherwise fire hazard consists or the driving safety will be derogated.

ENSURE NOT TO BEND OR SQUEEZE CABLES AND WIRES BY SHARP OBJECTS. Do not install cables and wires not close-by movable objects like the seat rail or may be bent or harmed by sharp and barbed edges. If you lead a wire or cable through the hole in a metal sheet, protect the insulation with a rubber grommet.

KEEP AWAY SMALL PARTS AND JACKS FROM CHILDREN. If objects like these will be swallowed, the risk of serious injuries consists. Consult promptly a medical doctor, if a child swallowed a small object.

MECHANICAL INSTALLATION

- Avoid any damages on the components of the vehicle like air bags, cables, board computer, seat belts, gas tank or the like.
- Ensure that the chosen location provides a sufficient air circulation for the amplifier. Do not mount the device into small or sealed spaces without air circulation near by heat dispersing parts or electrical parts of the vehicle.
- Do not mount the amplifier on top of a subwoofer box or any other vibrating parts, whereby parts could loosen inside.
- The wires and cables of power supply and the audio signal must be as short as possible to avoid any losses and interferences.



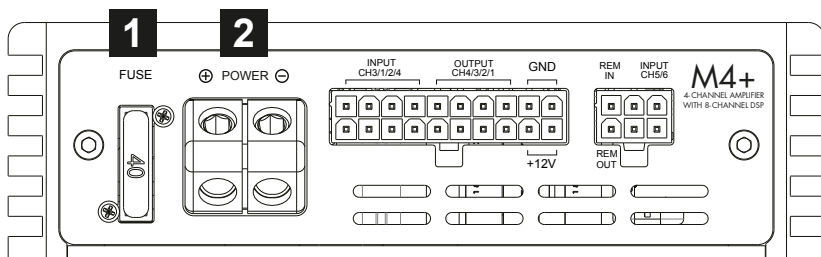
WARNING

Before you start with the installation, disconnect necessarily the **GROUND** connection wire from the battery to avoid any risk of electric shocks and short circuits.

ELECTRICAL INTERCONNECTION

BEFORE CONNECTING

For the professional installation of a sound system, car audio retail stores offers appropriate wiring kits. Ensure a sufficient profile section (at least \varnothing 5 mm), a suitable fuse rating and the conductivity of the cables when you purchase your wiring kit. Clean and remove rust-streaked and oxidized areas on the contact points of the battery and the ground connection. Make sure that all screws are fixed tight after the installation, because loose connections cause malfunctions, insufficient power supply or interferences.



1 FUSE

The inserted fuse (40 A blade) protects the amplifier from shorts and capacity overload. If you need to replace the fuse, make sure to use the same type of fuse with the same rating.

2 POWER

Connect the POWER + terminal (+12V) with the +12V pole of the vehicle's battery. Use a suitable cable with a sufficient cross section (at least \varnothing 5 mm) and install an additional in-line fuse. For safety reasons the distance between the fuse block and the battery should be shorter than 30 cm. Do not set in the fuse into the fuse block until the installation is accomplished.

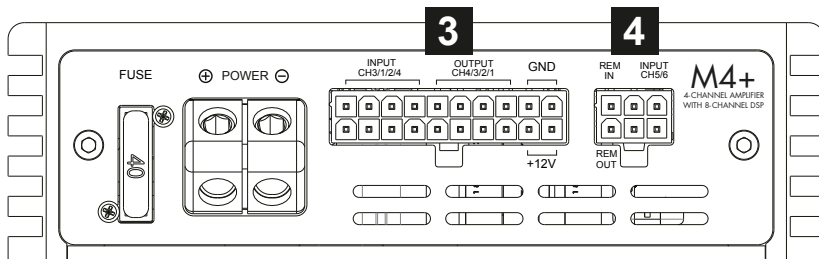
Connect the POWER – terminal (ground) with a suitable contact ground point on the vehicle's chassis. The ground wire must be as short as possible and must be connected to a blank metallic point at the vehicle's chassis. Ensure that this ground point has a stable and safe electric connection to the negative “–” pole of the battery. Check this ground wire from the battery to the ground point if possible and enforce it, if required. Use a ground wire with a sufficient cross section (at least \varnothing 5 mm) and the same size like the positive + power supply wire. This helps reduce most of the interference than can occur in audio reproduction.

NOTE: If you use this POWER terminals instead of the power supply of the System Connector, please remove the in-line fuse (20 A) from the ISO Cable Harness at the System Connector.



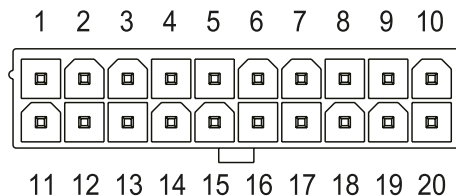
WARNING

Make sure the connection polarity is as indicated on the terminals. A misconnection may result in damage to the amplifier. After applying power, wait about 8 seconds before turning the amplifier on.



3 SYSTEM CONNECTOR

Connector for the enclosed cable harness. Make sure that you only use the original cable that comes with the amplifier to connect the amplifier with your head unit/car stereo.



- 1: HIGH LEVEL INPUT 3-
- 11: HIGH LEVEL INPUT 3+
- 2: HIGH LEVEL INPUT 1-
- 12: HIGH LEVEL INPUT 1+
- 3: HIGH LEVEL INPUT 2-
- 13: HIGH LEVEL INPUT 2+
- 4: HIGH LEVEL INPUT 4-
- 14: HIGH LEVEL INPUT 4+
- 5: SPEAKER OUTPUT 4-
- 15: SPEAKER OUTPUT 4+
- 6: SPEAKER OUTPUT 3-
- 16: SPEAKER OUTPUT 3+
- 7: SPEAKER OUTPUT 2-
- 17: SPEAKER OUTPUT 2+
- 8: SPEAKER OUTPUT 1-
- 18: SPEAKER OUTPUT 1+
- 9: BAT-
- 19: BAT+
- 10: BAT-
- 20: BAT+

HIGH LEVEL INPUTS CH1-4:

Connect here the amplified speaker outputs coming from the head unit. The input sensitivity is adjustable from 3.5 to 11 V RMS with the CH1/2/3/4 controller.

CH1 features the Auto Turn-On function through the connection with the speaker outputs of the head unit.

LOW LEVEL INPUTS CH1-4 (optional):

If you want to use the signal input section with low level signals (e.g. with the pre-amplifier outputs from your head unit), please refer to page 16.

SPEAKER OUTPUTS CH1-4:

Connect here speakers (2 - 4 Ohms) according to your sound system.

If you want to bridge the speaker outputs (BTL mode) and drive the connected speakers/subwoofers with a 4 Ohm load, bridge the channels as follows:

Channel pair 1: SPEAKER OUT1+ (+) & SPEAKER OUT2- (-) with 4 Ohms

Channel pair 2: SPEAKER OUT3+ (+) & SPEAKER OUT4- (-) with 4 Ohms



WARNING

Do not parallel the outputs, otherwise it may lead the amplifier to damage.

3 BATTERY TERMINALS +/-:

BAT+: Connection terminal for positive (+) power supply from the car specific or ISO cable harness

BAT-: Connection terminal for negative (-) power supply from the car specific or ISO cable harness

These power terminals are paralleled with the POWER terminals internally. The power cables must be properly insulated to prevent electrical short.

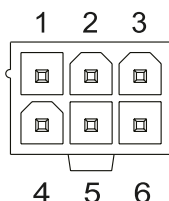


WARNING

This connection is not suited for the direct connection with the vehicle's battery. If you operate the amplifier with higher power consumption, for example with bridged speaker output channels (BLT mode), it is mandatory to use the POWER terminals. Please refer to section POWER on the previous page for more details.

4 HIGH LEVEL INPUT CH5 & CH6 / REM IN-OUT

This 6 pole connector is suited to manage the high level speaker inputs CH5 & CH6 as well as the REM IN / REM OUT connections.



- 1: REM IN
- 4: REM OUT
- 2: HIGH-LEVEL INPUT 5-
- 5: HIGH-LEVEL INPUT 5+
- 3: HIGH-LEVEL INPUT 6-
- 6: HIGH-LEVEL INPUT 6+

The high level speaker inputs CH5 & CH6 can be used for the separate subwoofer outputs from a car stereo/head unit.

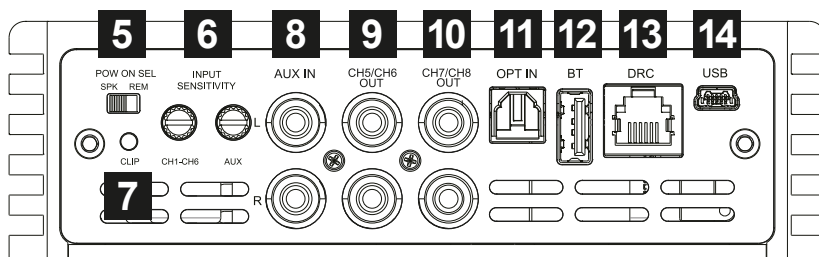
REM OUT is suited to turn on other devices/amplifiers of the sound system, such as additional amplifiers. It takes about 10 seconds to supply the signal to the REM OUT output. The 200 mA output current capability can also drive an auto-motive relay.

REM IN is suited to turn on the amplifier if a turn-on signal from the head unit/car stereo is available. The voltage must be between 7.5 and 15 VDC.

LOW LEVEL INPUTS CH5 & CH6 (optional):

If you want to use the signal input section with low level signals (e.g. with the pre-amplifier outputs from your head unit), please refer to page 16.

DESCRIPTION OF OPERATION



5 POW ON SEL (POWER ON SELECTION)

The amplifier can be turned on/off by using the following methods:

SPK: Slide the switch into position SPK, if you want to turn on/off the amplifier through the CH1 input channel of the high level speaker inputs and its Auto Turn-On function. Refer to page 8 and section 3 for more details.

REM: Slide the switch into position REM, if you want to turn on/off the amplifier through the REM and a turn-on signal from head unit/car stereo. Refer to page 9 and section 5 for more details.

6 INPUT SENSITIVITY

With these controllers you can adjust the input sensitivity for each analog input section. This function is suited to match the output voltage of the connected signal source with the amplifier.

7 CLIP

This LED lights up red if one of the six high level inputs (CH1-4 & CH5/6) is overdriven. The LED has no function when an input signal is applied to the Optical input and the Bluetooth™ input. If this LED lights up reduce the input sensitivity by using the regarding controller Input Sensitivity until the LED goes out.

8 AUX IN

These stereo RCA inputs are suited for a auxiliary low level input signal from an external stereo pre-amplifier source such as a game console or a media player. The input sensitivity adjustable from 2 to 15 V RMS.

9 CH5 /CH6 OUT (PROCESSED BY DSP)

Use these 2CH pre-amplifier RCA outputs for driving an additional amplifier or an active powered subwoofer.

10 CH7 /CH8 OUT (PROCESSED BY DSP)

Use these 2CH pre-amplifier RCA outputs for driving an additional amplifier or an active powered subwoofer.

11 OPT IN

The amplifier accepts through its Optical input PCM stereo signals up to 96 kHz / 24 bit sampling frequency rate. Multi-channel signals coming from audio/video sources (such as the audio tracks of a film in DVD) can not be reproduced. Connect a fiber optic cable with a TOSLINK connector.

12 BT

This USB input is suited for an external Bluetooth™ dongle with wireless audio streaming function with/or adjusting the DSP by an APP through a smart phone/mobile device. Check the website “www.musway.de” for more information or ask your car audio retailer.

13 DRC

This input is suited for an external MUSWAY digital remote controller. Check the website “www.musway.de” for more information or ask your car audio retailer.

14 USB

This USB input is suited for the connection with a PC/laptop computer to manage the functions of the MUSWAY DSP software to set-up the DSP functions of the amplifier. The connection is USB 1.1/2.0/3.0 compatible. For downloading the software please visit “www.musway.de/dsp”.

SYSTEM CONFIGURATION

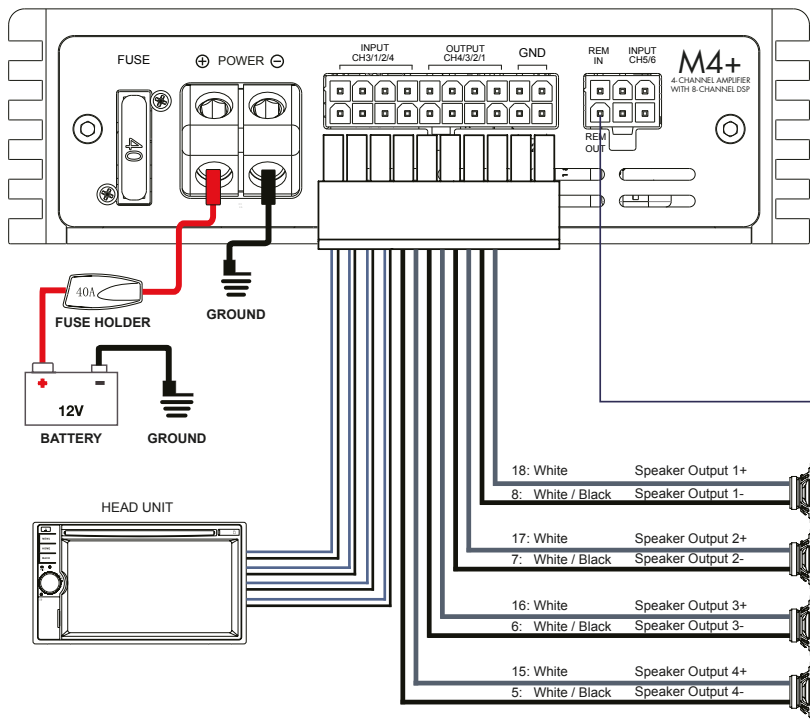
In order to configure the inputs, amplified speaker outputs and pre-amplified power outputs, EQ and time delays for the amplifier, it must be interfaced with the PC. When you get to this point you must already be aware of what type of system you intend to set up. In order to avoid complications in preparation, make sure the following points before you start:

- The type of signals that will be assigned to the inputs (e.g.: front left or center or subwoofer, etc.).
- The speakers in the system (e.g.: 3-way front or sub stereo or 2-way rear, etc.).
- If there are passive crossovers that manage groups of speakers (e.g.: 3-way systems with active midrange).
- If you intend to use an external mono amplifier to drive a subwoofer.
- If you intend to use the amplified outputs of the amplifier bridged (BLT mode), thus increasing the power on the output.

**WARNING**

Before turning on the system, set the head-unit output level to a lower level (approximately 20% of its maximum excursion) to avoid damaging the speakers during calibration.

TYPICAL APPLICATION

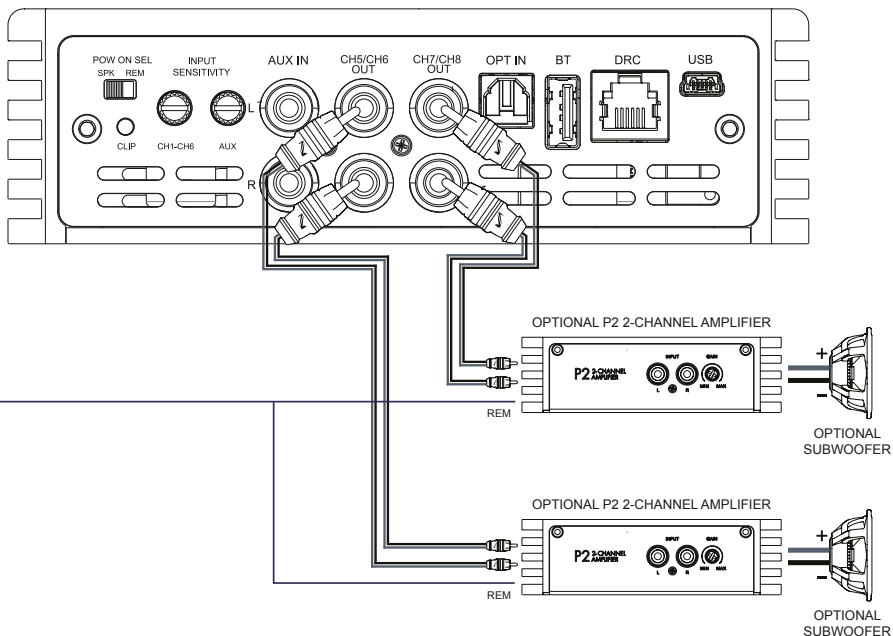


CH1-CH4 AMPLIFIED OUTPUT CHANNELS CONFIGURATION

POWER CHANNEL CONFIGURATION		
	STEREO MODE	BRIDGE MODE
CH1	100 W @ 4 Ohms / 135 W @ 2 Ohms	CH1+ (+) / CH2- (-) 270 W @ 4 Ohms
CH2	100 W @ 4 Ohms / 135 W @ 2 Ohms	
CH3	100 W @ 4 Ohms / 135 W @ 2 Ohms	CH3+ (+) / CH4- (-) 270 W @ 4 Ohms
CH4	100 W @ 4 Ohms / 135 W @ 2 Ohms	

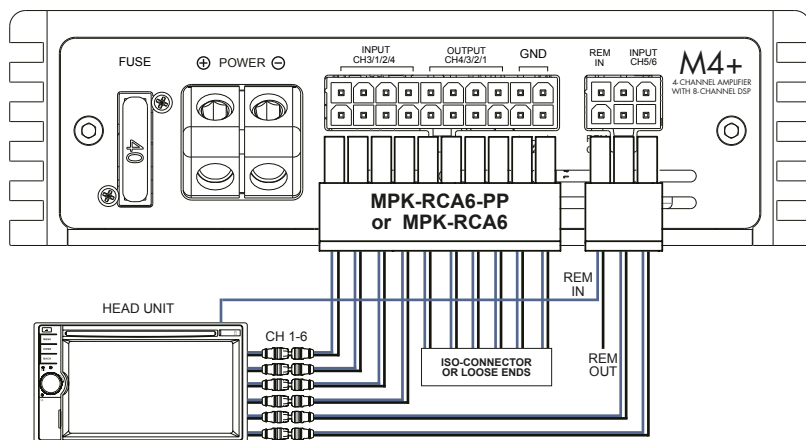
@ 13.8VDC, 1% THD

TYPICAL APPLICATION

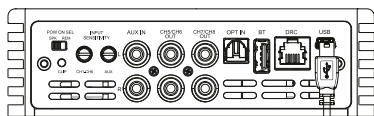


CONNECTING THE OPTIONAL LOW LEVEL INPUTS

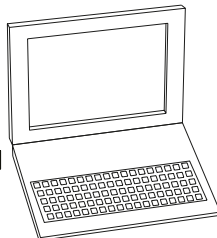
If you want to use the signal input section with low level signals (e.g. with the pre-amplifier outputs from your head unit), please refer to page 16.



INITIAL SYSTEM START-UP



DSP software download:
www.musway.de/dsp



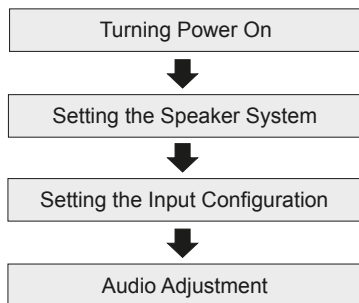
Recommended specifications:

CPU: 1.6 GHz or higher
 Memory: 1 GB or higher
 HDD: 512 MB or more available space
 Display: 1024×576 or higher
 OS: Microsoft™ Windows XP, Vista, 7, 8 or higher

- Download and save the MUSWAY DSP software before connecting the amplifier to your personal computer.
- Install the amplifier in your vehicle before you connect a computer to it .
- Turn the ignition key to the ACC or ON position.
- Connect a PC/Laptop with the USB terminal of amplifier by using the enclosed USB cable.
- After you have open the DSP software, you can set/adjust all the audio settings on the computer.
- The amplifier is on when the logo on the top lights up in orange. After 10 seconds it becomes operative.

BEFORE YOU FIRST USE THE UNIT

When you first use the unit, set the following:



WARNING

Before turning on the sound system, check again carefully the configuration of the cross-overs , the speakers setup. Wrong type of crossover or inappropriate parameter may cause permanent damages on the speakers, especially tweeters without passive crossovers.

DSP SOFTWARE



1 FUNCTIONAL AND MULTILINGUAL

The PC software to control the DSP provides a clear GUI with the most important functions summarized in one menu. As operating language several languages are available.

2 SIGNAL ROUTING

With the extensive assignment section of the inputs and outputs every conceivable signal routing is possible, which unfolds unexpected possibilities thanks to the bridgeable speaker outputs.

3 HIGH LEVEL MIX

The High Level Mix feature is an ingenious feature that lets you mix all the inputs to the current main signal. The threshold, the attenuation and the release time are freely adjustable. This is particularly useful if the audio stream is currently playing as the main source and a traffic announcement is being made on the radio. If the radio is set that every message is automatically played louder, the high level mixer detects this and mixes the radio signal without interruption.

4 PARAMETRICAL 31-BAND EQUALIZER

The equalizer section leaves nothing to be desired: graphical real-time display, adjustable Q-factor and separate full control of all channels including bypass function.

5 EXTENSIVE FILTER SECTION

Besides the separately adjustable slope for high and low pass filters, different filter characteristics can be selected. Each channel can also be set separately and the output signal to AUX can be freely configured.

6 AUTOMATIC TIME ALIGNMENT

Each connected loudspeaker can be set perfectly by entering the distance in centimeters to the center of the acoustic stage. After input, the correct time delay for the respective loudspeaker is automatically determined.

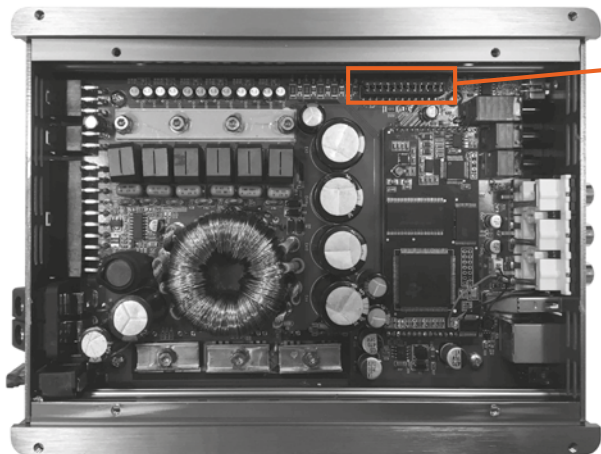
7 CHANNEL MIXER

This section contains the core of the software. Each channel can be processed here individually or by linking any channel pair synchronously. Among other things, the volume or the phase position can be controlled here.

LOW LEVEL INPUTS CH1-6 (OPTIONAL)

Follow the instructions below to configure the input signal section CH1-6 from high level into low level inputs:

1. Remove the bottom plate of the amplifier by unscrewing the four screws.
2. In the marked area on the image below you will find a jumper.
3. Carefully remove this jumper with a suitable gripper.



WARNING

Only carry out this step after the device has been disconnected from the power supply.

OPTIONAL LOW LEVEL RCA ADAPTER CABLE SETS

To use the input section CH1-6 with Low Level signals (e.g. with the pre-amplifier outputs from your head unit) we recommend the optional available MUSWAY Low Level RCA Adapter Cable Sets as described below:

MPK-RCA6-PP*

This two-piece set is suitable for an existing sound system with an M4+ DSP amplifier connected via vehicle-specific ISO cables (MPK-ISO25 or MPK-ISO50). A total of 6 RCA inputs are available for connecting the pre-amplifier outputs including a remote in- and out cable. The amplified speaker output channels 1 to 4 end in an ISO connector that must be connected to the speakers which are already wired via the original sound system.

MPK-RCA6*

This two-piece set is suitable for use with the DSP M4+ amplifier in a standard installation with aftermarket components. A total of 6 RCA inputs are available for connecting the pre-amplifier outputs including a remote in- and out cable. The amplified speaker output channels 1 to 4 lead to open cable ends to connect with the appropriate aftermarket speakers.

***NOTE:** For both sets, the wiring of CH5-6 is done as usual via the 4-pin cable connector described on page 9 (section 4).

TROUBLE SHOOTING

Malfunction: no function

Reason:

1. The power supply connection of the device is not correct
2. The cables have no mechanical or electrical contact
3. The remote turn-on connection from the head unit to the amplifier is not correct
4. POW ON SEL switch position incorrect
5. Defective Fuses. In case of replacing the fuses, ensure the correct fuse rating

Remedy:

- Recheck
- Recheck
- Recheck
- Recheck
- Replace Fuses

Malfunction: no signal on loudspeakers, but the logo on top is on

Reason:

1. The connections of the speakers or the audio cables are not correct
2. The speaker cables or the audio cables are defective
3. The loudspeakers are defective
4. HP controller in LP/BP operation is adjusted to high
5. No signal from the head unit
6. A wrong input source is selected, which is not connected (e.g. AUX IN)
7. For example on one or more channels „Mute“ is activated in the DSP software.
8. The volume level on the remote controller is adjusted too low

Remedy:

- Recheck
- Replace cables
- Replace speakers
- Turn down controller
- Check head unit settings
- Check selection
- Check settings
- Turn up the volume level on the remote

Malfunction: one or more channels or controllers are without function / faulty stereo stage

Reason:

1. The balance or fader controller of the head unit is not in the center-position
2. The connections of the speakers are not correct
3. The loudspeakers are defective
4. HP controller in LP/BP operation is adjusted to high
5. For example on one or more channels are incorrectly adjusted in the DSP software.

Remedy:

- Turn to center-position
- Recheck
- Replace speakers
- Turn down controller
- Check settings

Malfunction: distortions on the loudspeakers

Reason:

1. The loudspeakers are overloaded

Remedy:

- Turn down the level
- Turn down the level on the head unit
- Switch off loudness on the head unit
- Reset bass EQ on the head unit

Malfunction: no bass or stereo sound

Reason:

1. Interchange of loudspeaker cable polarity
2. The audio cables are loose or defective
3. For example on one or more channels are incorrectly adjusted in the DSP software.

Remedy:

- Reconnect
- Reconnect or replace the cables
- Check settings

Malfunction: amplifier runs into protection mode

Reason:

1. Short circuit on the loudspeakers or cables
2. Overheated by too low speaker impedance
3. Insufficient air circulation by a inappropriate mounting position of the amplifier
4. Overloaded by insufficient power supply (too small profile section on the power cables)

Remedy:

- Reconnect
- Choose a higher impedance
- Use a new speaker setup
- Change the mounting position
- Ensure air circulation
- Use a bigger profile section

Malfunction: hiss or white noise on the loudspeakers

Reason:

1. The level controllers in the DSP software are turned up to loud
2. The treble controller on the head unit is turned up
3. The speaker cables or the RCA audio cables are defective
4. The hissing is caused by the head unit

Remedy:

- Turn down the level
- Turn down the level on the head unit
- Replacing the cables
- Check the head unit

TECHNISCHE DATEN

STROMVERSORGUNG

Betriebsspannung:	7 - 15 VDC
Ruhestrom:	1,2 A
Ausgeschaltet:	<0,1 mA
Verbrauch @ 13.8 VDC 2 Ω Max. Musikleistung:	40 A
Remote IN Spannung:	7,5 - 15 VDC (1 mA)
Remote OUT Spannung:	7,5 - 15 VDC (200 mA)
Gerätesicherung:	40 A

VERSTÄRKER

Klirrfaktor - THD (1 kHz @ 4 Ω, 90% Leistung):	0.05 %
Frequenzgang (-3 dB, 2 V RMS, 4Ω):	15 Hz - 22 kHz
Signalrauschabstand @ A gewichtet, 1 V, Max. Leistung:	95 dB A
Dämpfungsfaktor @ 1 kHz, 2 V RMS, 4 Ω:	> 70
Eingangsempfindlichkeit:	3.5 V - 11 V RMS (Hochpegel); 1.5 V - 4.5 V RMS (Niedrigpegel)
Eingangsimpedanz:	13 Ω (Hochpegel); 47 kΩ (Niedrigpegel)
Lastimpedanz (Minimum):	
4CH:	2 Ω
2CH - Gebrückt (1-2) (3-4):	4 Ω
AUSGANGSLEISTUNG (RMS) @ 13,8 VDC, 1% THD:	
4CH @ 4 Ω:	100 W x 4
4CH @ 2 Ω:	135 W x 4
2CH - (Gebrückt 1/2; 3/4) @ 4 Ω:	270 W x 2

SIGNALAUSGÄNGE

RCA/Cinch VorverstärkerAusgänge CH5/CH6/CH7/CH8:	4 V RMS Max
--	-------------

Konformitätserklärung

Hiermit erklärt die Audio Design GmbH, dass das Gerät MUSWAY M4+ der Richtlinie 2014/53/EU entspricht. Die vollständige Konformitätserklärung ist einzusehen unter www.musway.de/CE

DIGITALER SIGNAL PROZESSOR (32 bit, 330 MHz)

Frequenzweichen:	Vollbereich / Hochpass / Tiefpass / Bandpass
Frequenzweichtyp/Flankensteilheit:	Bessel / Butterworth / Linkwitz @ 12/18/24/30/36/42/48 dB
Frequenz:	1 Hz Schritte @ 20 Hz - 20 kHz
Phasenverschiebung:	0° / 180°
Ausgangseququalizer:	31-Band Parametrischer Equalizer: ±12 dB
Abstand Laufzeitkorrektur:	0 - 692 cm
Verzögerung Laufzeitkorrektur:	0 - 20 ms
Schritte Laufzeitkorrektur:	0,08 ms; 2,8 cm
Feineinstellung Laufzeitkorrektur:	0,02 ms; 0,7 cm
Presets/Speicherplätze (Lokal gespeichert):	6 Presets/Speicherplätze

ALLGEMEINE ANFORDERUNGEN

PC Verbindung	Micro USB (1.1 / 2.0 / 3.0)
Software/PC Anforderungen:	Microsoft Windows (32/64 bit): XP, Vista, Windows 7, Windows 8, Windows 10
Grafikkarte min. Auflösung:	1024 x 768
Umgebungstemperaturbereich:	0 - 55 °C

GRÖSSE / GEWICHT

Größe ohne Montagehalter (mm):	150 x 44 x 200
Nettogewicht (kg):	1,6

LIEFERUMFANG

- 1 x M4+ Verstärker
- 1 x 2,5 m ISO Kabelbaum mit System-Stecker inkl. 20 A Sicherung
- 1 x 1,5 m USB Kabel
- 1 x 6-poliger Kabelstecker (INPUT CH5/6, REM IN/OUT)
- 4 x Montagehalter inkl. Schrauben
- 1 x Bedienungsanleitung (Englisch/Deutsch)
- 1 x 40 A Geräteersatzsicherung
- 1 x 3 mm Innensechskant-Winkelschraubendreher

SICHERHEITSHINWEISE

DAS VON IHNEN ERWORBENE GERÄT IST NUR FÜR DEN BETRIEB AN EINEM 12-V-BORDNETZ EINES FAHRZEUGS AUSGELEGT. Andernfalls besteht Feuergefahr, die Gefahr eines elektrischen Schlages oder anderer Verletzungen.

BITTE KEINE BEDIENUNG DES SOUNDSYSTEMS AUSFÜHREN, WELCHE VOM SICHEREN LENKEN DES FAHRZEUGS ABLENKEN KÖNNTE. Führen Sie keine Bedienungen aus, die Ihre Aufmerksamkeit längere Zeit in Anspruch nehmen. Stoppen Sie besser das Fahrzeug an einer sicheren Stelle am Straßenrand, bevor Sie solche Bedienungen ausführen. Andernfalls besteht Unfallgefahr.

DIE LAUTSTÄRKE NUR SO HOCH EINSTELLEN, DASS SIE WÄHREND DER FAHRT NOCH AUSSERGE-RÄUSCHE WAHRNEHMEN KÖNNEN. Hochleistungsaudiosysteme in Fahrzeugen, können den Schallpegel eines "Live-Konzertes" erzeugen. Dauerhaft extrem lauter Musik ausgesetzt zu sein kann den Verlust des Hörvermögens oder Hörschäden zur Folge haben. Das Hören von lauter Musik beim Autofahren kann Ihre Wahrnehmung (Warnsignale) beeinträchtigen. Im Interesse der allgemeinen Sicherheit empfehlen wir das Musikhören beim Autofahren mit geringer Lautstärke. Andernfalls besteht Unfallgefahr.

LÜFTUNGSÖFFNUNGEN UND KÜHLKÖRPER NICHT ABDECKEN. Andernfalls kann es zu einem Wärme-stau im Gerät kommen und es besteht Feuergefahr.

DAS GERÄT AUF KEINEN FALL ÖFFNEN. Andernfalls besteht Unfallgefahr, Feuergefahr oder die Gefahr eines elektrischen Schlages. Das Öffnen des Gerätes hat auch einen Garantieverlust zur Folge.

SICHERUNGEN IMMER DURCH SOLCHE MIT DER RICHTIGEN AMPEREZAHL ERSETZEN. Andernfalls besteht Feuergefahr oder die Gefahr eines elektrischen Schlages.

DAS GERÄT NICHT WEITERBENUTZEN, WENN EINE FEHLFUNKTION AUFTRITT, DIE NICHT VON IH-NEN BEHOBEN WERDEN KANN. Beachten Sie dazu den Abschnitt FEHLERBEHEBUNG. Andernfalls kann es zu Verletzungen oder Schäden am Gerät kommen. Geben Sie das Gerät zu Reparaturzwecken an einen autorisierten Händler oder den nächsten Kundendienst.

DIE INSTALLATION EINES PUFFERKONDENSATORS MIT AUSREICHENDER KAPAZITÄT WIRD EMP-FOHLN. Hochleistungsverstärker verursachen sehr hohe Spannungsabfälle und benötigen eine sehr hohe Stromstärke bei hoher Leistung. Um das Bordnetz des Fahrzeuges nicht übermäßig zu belasten, wird die Installation eines Pufferkondensators (auch Pufferelko, Powercap oder Power Capacitor genannt) empfohlen, der parallel zum Verstärker und zur Stromquelle als Puffer fungiert. Lassen Sie sich am besten im Car Audio Fachhandel beraten.

VERKABELUNG UND EINBAU VON FACHPERSONAL AUSFÜHREN LASSEN. Die Verkabelung und der Einbau dieses Gerätes erfordern technisches Geschick und Erfahrung. Zu Ihrer eigenen Sicherheit sollten Sie Verkabelung und Einbau dem Händler überlassen, bei dem Sie das Gerät erworben haben.

VOR DER INSTALLATION DAS KABEL VOM MASSEPOL DER BATTERIE ABKLEMMEN. Bevor Sie mit der Installation des Soundsystems beginnen, trennen Sie unbedingt den Massepol der Autobatterie ab, um Kurzschlüsse und Stromschläge zu vermeiden.

WÄHLEN SIE EINEN GEEIGNETEN EINBAUORT. Suchen Sie einen geeigneten Einbauort für das Gerät, bei dem ausreichend Raum für eine kühlende Luftzirkulation vorherrscht. Am besten geeignet sind Reserverad-mulden und offene Bereiche im Kofferraum. Weniger geeignet sind Stauräume hinter der Seitenverkleidung oder Bereiche unter den Fahrzeugsitzen.

DAS GERÄT NICHT AN STELLEN EINBAUEN, AN DENEN ES HOHER FEUCHTIGKEIT ODER STAUB AUSGESETZT IST. Bauen Sie das Gerät so ein, dass es vor hoher Feuchtigkeit und Staub geschützt ist. Wenn Feuchtigkeit oder Staub in das Gerät gelangen, kann es zu Betriebsstörungen kommen. Schäden am Gerät, welche durch Feuchtigkeit hervorgerufen wurden, unter- liegen nicht der Garantie.

DAS GERÄT SOWIE ANDERE KOMPONENTEN DES SOUNDSYSTEMS AUSREICHEND BEFESTIGEN. Andernfalls könnten sich die Geräte und Komponenten während der Fahrt lösen und als gefährliche Geschos-se im Fahrgastraum Beschädigungen und Verletzungen hervorrufen.

BEIM BOHREN VON LÖCHERN, BESTEHENDE KOMPONENTEN, LEITUNGEN UND KABEL DES FAHRZEUGS NICHT BESCHÄDIGEN. Wenn Sie bei der Installation Löcher in das Fahrzeugchassis bohren, achten Sie unbedingt darauf die Kraftstoffleitungen, den Benzintank, elektrische Kabel und andere Leitungen nicht zu beschädigen, zu berühren oder zu blockieren.

AUF KORREKTE ANSCHLÜSSE ACHTEN. Bei fehlerhaften Anschlüssen besteht Feuergefahr, Kurzschlussgefahr und es kann zu Schäden am Gerät kommen.

AUDIOKABEL UND STROMKABEL SOLLTEN NICHT ZUSAMMEN VERLEGT WERDEN. Bei der Installation des Audiokabels zwischen dem Cinch-Ausgang des Autoradios und dem Cinch-Eingang des Verstärkers im Fahrzeug ist darauf zu achten, dass das Audio- und das Stromversorgungskabel möglichst nicht auf der selben Seite des Fahrzeugs verlegt werden. Besser ist eine räumlich getrennte Installation, im rechten und linken Kabelschacht des Fahrzeugs. Damit wird das Überlagern von Störungen auf das Audio-Signal verringert. Dieses gilt ebenfalls für das Verbindungskabel der beiliegenden Kabel-Fernbedienung. Das Kabel sollte nicht auf der Seite der Stromversorgungsleitung verlegt werden, sondern zusammen mit den Audiokabeln.

SORGEN SIE DAFÜR, DASS SICH DIE KABEL NICHT IN GEGENSTÄNDEN IN DER NÄHE VERFANGEN. Verlegen Sie die Kabel wie auf den folgenden Seiten beschrieben, damit diese beim Fahren nicht hinderlich sind. Kabel die sich im Bereich des Lenkrads, des Schalthebels oder im Bremspedal usw. verfangen können, führen zu äußerst gefährlichen Situationen.

ELEKTRISCHE KABEL NICHT SPLEISSEN. Kabel dürfen nicht abisoliert werden, um andere Geräte mit Strom zu versorgen. Andernfalls wird die Strombelastbarkeit des Kabels überschritten, und es besteht Feuergefahr oder die Gefahr eines elektrischen Schlags. Verwenden Sie hierfür am besten geeignete Verteilerblöcke.

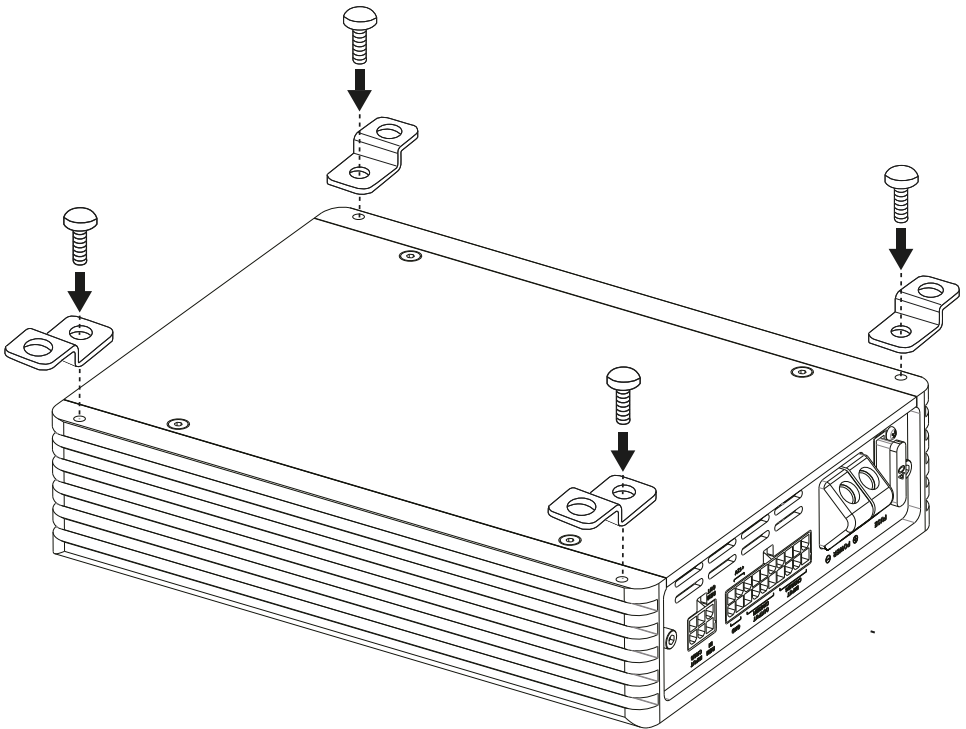
BOLZEN UND MUTTERN DER BREMSANLAGE NICHT ALS MASSEPUNKT VERWENDEN. Verwenden Sie für den Einbau oder Masseanschluss keine Bolzen oder Muttern der Brems- bzw. Lenkanlage oder eines anderen sicherheitsrelevanten Systems. Andernfalls besteht Feuergefahr oder die Fahrsicherheit ist beeinträchtigt.

DIE KABEL SO VERLEGEN, DASS SIE NICHT GEKNICKT ODER DURCH SCHARFE KANTEN GEQUETSCHT WERDEN. Verlegen Sie die Kabel so, dass sie sich nicht in beweglichen Teilen wie den Sitzschienen verfangen oder an scharfen Kanten oder spitzen Ecken beschädigt werden können. Wenn Sie ein Kabel durch eine Bohrung in einer Metallplatte führen, schützen Sie die Kabelisolierung mit einer Gummitülle vor Beschädigungen durch Metallkanten der Bohrung.

KLEINTEILE WIE SCHRAUBEN UND ANSCHLUSS-STECKER VON KINDERN FERNHALTEN. Werden solche Gegenstände verschluckt, besteht die Gefahr schwerwiegender Verletzungen. Suchen Sie unverzüglich einen Arzt auf, sollte ein Kind einen solchen Gegenstand verschluckt haben.

MECHANISCHE INSTALLATION

- Achten Sie bei der Installation darauf, dass keine serienmäßig im KFZ vorhandenen Teile wie z.B. Kabel, Bordcomputer, Sicherheitsgurte, Tank oder ähnliche Teile beschädigt bzw. entfernt werden.
- Vergewissern Sie sich, dass der Verstärker am Montageort genügend Kühlung erhält. Montieren Sie das Gerät nicht in zu kleine, abgeschlossene Gehäuse ohne Luftzirkulation, in die Nähe von wärmeabstrahlende Teilen oder elektronischen Steuerungen des Fahrzeuges.
- Montieren Sie den Verstärker auf keinen Fall auf ein Bassgehäuse oder andere vibrierende Teile, dadurch können sich die Bauteile im Inneren losvibrieren und das Gerät ernsthaft beschädigen.
- Die Kabel der Stromversorgung und die Audiosignalkabel sollten bei dem Einbau so kurz als möglich gehalten werden, um Verluste und Störungen zu vermeiden.



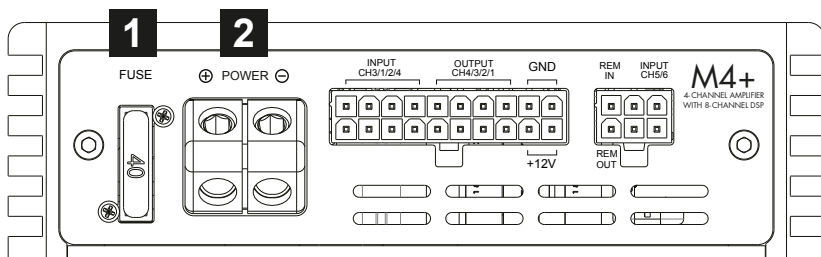
ACHTUNG

Bevor Sie mit der Installation des Soundsystems beginnen, trennen Sie unbedingt den Massepol der Fahrzeugbatterie ab, um Kurzschlüsse und Stromschläge zu vermeiden.

ELEKTRISCHE ANSCHLÜSSE

VOR DEM ANSCHLIESSEN

Für den fachgerechten Anschluss des Soundsystems sind geeignete Kabelsets im Fachhandel erhältlich. Achten Sie beim Kauf auf einen ausreichenden Kabelquerschnitt (min. \varnothing 5 mm), den passenden Sicherungswert sowie auf die Leitfähigkeit der Kabel. Säubern und entfernen Sie vorhandene Rost- und Oxidationsstellen an allen Kontaktpunkten der Batterie und an den Massepunkten. Ziehen Sie nach der Installation alle Schrauben fest an, denn ein lockerer Anschluss kann eine Fehlfunktion, unzureichende Stromversorgung oder Störgeräusche sowie Verzerrungen zur Folge haben.



1 GERÄTESICHERUNG

Die integrierte Stecksicherung (40 A) schützt das Gerät vor Kurzschlüssen und Überlastung. Tauschen Sie eine defekte Sicherung nur gegen eine aus, die gleichen Typs ist und den gleichen Sicherungswert besitzt.

2 POWER

Verbinden Sie den Anschluss POWER + mit dem 12 Volt Pluspol der Fahrzeugbatterie. Verwenden Sie zum Anschluss ein ausreichend dimensioniertes Stromkabel (min. \varnothing 5 mm) und installieren Sie eine zusätzliche Kabelsicherung. Die Sicherung sollte sich in Nähe der Batterie befinden, die Kabellänge vom Pluspol der Batterie bis zur Sicherung muss aus Sicherheitsgründen unter 30 cm liegen. Die Sicherung setzen Sie erst nach Abschluss aller Installationsarbeiten ein.

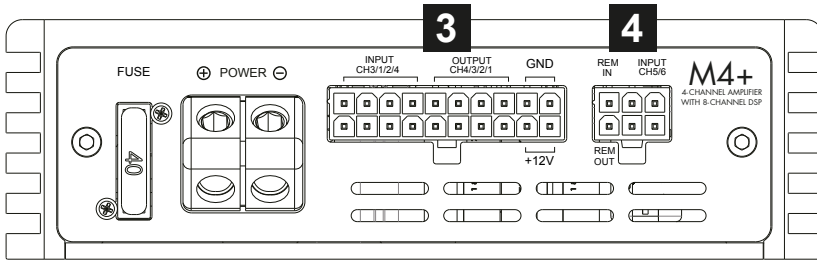
Verbinden Sie den Masseanschluss GND – des Verstärkers mit einem geeigneten Massepunkt am Fahrzeugchassis. Das Massekabel sollte möglichst kurz sein und an einem blanken, metallischen Punkt des Fahrzeugchassis angebracht werden. Achten Sie darauf, dass dieser Punkt eine sichere elektrische Verbindung zum Minuspol der Fahrzeugbatterie hat. Überprüfen Sie zudem die Masseleitung von der Batterie zur Karosserie und verstärken diese wenn nötig. Verwenden Sie zum Anschluss ein ausreichend dimensioniertes Massekabel (min. \varnothing 5 mm). Der Querschnitt sollte dabei genauso groß wie bei der Plusleitung gewählt werden.

WICHTIG: Wenn Sie die Anschlüsse POWER anstelle der Stromversorgung des System-Steckers verwenden, entfernen Sie bitte die Kabel-Sicherung (20 A) vom ISO-Kabelbaum am System-Stecker.



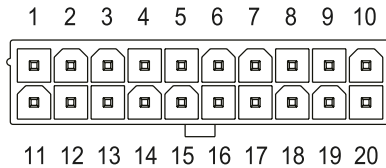
ACHTUNG

Stellen Sie sicher, dass die Polarität der Anschlüsse den Angaben auf den Klemmen entspricht. Eine Fehlverbindung kann zur Beschädigung des Verstärkers führen. Warten Sie nach dem Stromanschluss etwa 8 Sekunden, bevor Sie den Verstärker einschalten.



3 SYSTEM-STECKER

Anschluss für den beiliegenden ISO-Kabelbaum. Stellen Sie sicher, dass Sie nur den mitgelieferten Original-Kabelbaum verwenden, um den Verstärker mit Ihrem zu verbinden.



- 1: HOCHPEGELEINGANG 3-
- 11: HOCHPEGELEINGANG 3+
- 2: HOCHPEGELEINGANG 1-
- 12: HOCHPEGELEINGANG 1+
- 3: HOCHPEGELEINGANG 2-
- 13: HOCHPEGELEINGANG 2+
- 4: HOCHPEGELEINGANG 4-
- 14: HOCHPEGELEINGANG 4+
- 5: LAUTSPRECHERAUSGANG 4-
- 15: LAUTSPRECHERAUSGANG 4+
- 6: LAUTSPRECHERAUSGANG 3-
- 16: LAUTSPRECHERAUSGANG 3+
- 7: LAUTSPRECHERAUSGANG 2-
- 17: LAUTSPRECHERAUSGANG 2+
- 8: LAUTSPRECHERAUSGANG 1-
- 18: LAUTSPRECHERAUSGANG 1+
- 9: BATTERIE-
- 19: BATTERIE+
- 10: BATTERIE-
- 20: BATTERIE+

HOCHPEGELEINGÄNGE CH1-4:

Schließen Sie hier die verstärkten Lautsprecherausgänge an, die von vom Autoradio kommen. Die Eingangsempfindlichkeit ist mit dem Regler CH1/2/3/4 von 3,5 bis 11 V RMS einstellbar. In CH1 ist autom. Einschaltfunktion (Auto-Turn-On) integriert und muss unbedingt angeschlossen werden.

NIEDERPEGELEINGÄNGE CH1-4 (optional):

Wenn Sie den Verstärker mit Niederpegelsignalen (z.B. mit den Vorverstärkerausgängen des Autoradios) ansteuern möchten, beachten Sie bitte die Hinweise auf Seite 32.

LAUTSPRECHERAUSGÄNGE CH1-4:

Schließen Sie hier Lautsprecher (2 - 4 Ohm) gemäß an Ihrem Soundsystem an.

Wenn Sie die Lautsprecherausgänge (BTL-Modus) brücken und die angeschlossenen Lautsprecher/ Subwoofer mit 4 Ohm betreiben möchten, brücken Sie die Kanäle wie folgt:

Kanalpaar 1: SPEAKER OUT1+ (+) & SPEAKER OUT2- (-) mit 4 Ohm

Kanalpaar 2: SPEAKER OUT3+ (+) & SPEAKER OUT4- (-) mit 4 Ohm



ACHTUNG

Die Ausgänge nicht parallel schalten, sonst kann der Verstärker beschädigt werden.

3 BATTERIEANSCHLÜSSE +/-:

BAT+: Anschlussklemme für + Stromversorgung aus dem fahrzeugspezifischen oder ISO-Kabelbaum

BAT-: Anschlussklemme für - Stromversorgung aus dem fahrzeugspezifischen oder ISO-Kabelbaum

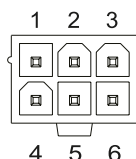
Diese Stromanschlüsse sind intern mit den POWER-Anschlüssen parallel geschaltet. Die Stromkabel müssen ordnungsgemäß isoliert sein, um einen Kurzschluss zu vermeiden.

**ACHTUNG**

Diese Verbindung ist nicht für die direkte Verbindung mit der Fahrzeugbatterie geeignet. Wenn Sie den Verstärker mit höherer Leistungsaufnahme betreiben, z. B. mit gebrückten Lautsprecherausgangskanälen (BLT-Modus), müssen Sie unbedingt die POWER-Anschlüsse verwenden. Weitere Informationen finden Sie im Abschnitt POWER auf der vorherigen Seite.

4 HOCHPEGELEINGÄNGE CH5 & CH6 / REM IN-OUT

Dieser 6-polige Anschluss eignet sich für den Anschluss der Hochpegel-Lautsprechereingänge CH5 & CH6 sowie der REM IN/REM OUT-Anschlüsse.



- 1: REM IN
- 4: REM OUT
- 2: HOCHPEGELEINGANG 5-
- 5: HOCHPEGELEINGANG 5+
- 3: HOCHPEGELEINGANG 6-
- 6: HOCHPEGELEINGANG 6+

Die Hochpegel-Lautsprechereingänge CH5 und CH6 können für die separaten Subwoofer-Ausgänge eines Autoradios verwendet werden.

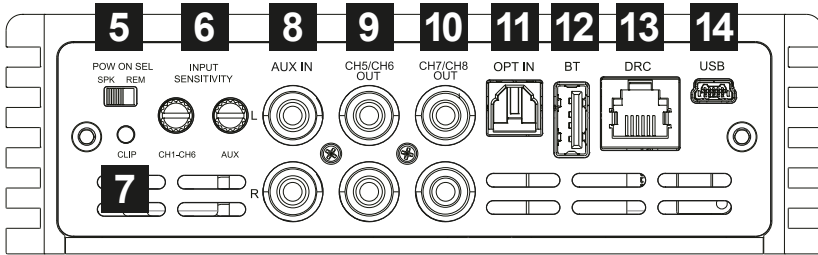
REM OUT ist geeignet, um andere Geräte des Soundsystems wie z.B. zusätzliche Verstärker einzuschalten. Es dauert etwa 10 Sekunden bis das Signal am REM OUT-Ausgang aktiv ist. Mit einer Ausgangsstromstärke von 200 mA kann auch ein automatisches Relais angesteuert werden.

REM IN ist geeignet, um den Verstärker einzuschalten, wenn ein Einschaltsignal vom Autoradio verfügbar ist. Die Spannung muss zwischen 7,5 und 15 VDC liegen.

NIEDERPEGELEINGÄNGE CH5 & CH6 (optional):

Wenn Sie den Verstärker mit Niederpegelsignalen (z.B. mit den Vorverstärkerausgängen des Autoradios) ansteuern möchten, beachten Sie bitte die Hinweise auf Seite 32.

FUNKTIONSBESCHREIBUNG



5 POW ON SEL (EINSCHALTAUSWAHL)

Der Verstärker kann mithilfe der folgenden Methoden ein- und ausgeschaltet werden:

SPK: Schieben Sie den Schalter in Position SPK, wenn Sie den Verstärker über CH1 und dessen automatische Einschaltfunktion ein-/ausschalten möchten. Weitere Informationen finden Sie auf Seite 8 und Abschnitt 1.

REM: Schieben Sie den Schalter in Position REM, wenn Sie den Verstärker über REM und das Einschaltsignal vom Autoradio ein-/ausschalten möchten. Weitere Informationen finden Sie auf Seite 25 und Abschnitt 5.

6 EINGANGSEMPFINDLICHKEIT

Mit diesen Reglern können Sie die Eingangsempfindlichkeit für die analogen Eingänge einstellen. Diese Funktion ist geeignet, um die Ausgangsspannung der angeschlossenen Signalquelle an den Verstärker anzupassen.

7 CLIP

Diese LED leuchtet rot, wenn einer der sechs Hochpegeleingänge (CH1-4 & CH5 / 6) übersteuert ist. Die LED hat keine Funktion am optischen Eingang und Bluetooth™-Eingang. Wenn diese LED leuchtet, verringern Sie die Eingangsempfindlichkeit indem Sie den betreffenden Regler zurückdrehen bis die LED erlischt.

8 AUX IN

Diese Stereo-Cinch-Eingänge eignen sich für ein zusätzliches Niedrigpegel-Eingangssignal von einer externen Stereo-Vorverstärkerquelle wie einer Spielekonsole oder einem Media-Player. Die Eingangsempfindlichkeit ist von 2 bis 15 V RMS einstellbar.

9 CH5/CH6 OUT (DSP PROZESSIERT)

Verwenden Sie die 2-Kanal-Vorverstärker-Ausgänge zum Ansteuern eines zusätzlichen Verstärkers oder eines aktiven Subwoofer-Systems.

10 CH7/CH8 OUT (DSP PROZESSIERT)

Verwenden Sie die 2-Kanal-Vorverstärker-Ausgänge zum Ansteuern eines zusätzlichen Verstärkers oder eines aktiven Subwoofer-Systems.

11 OPT IN

Der Verstärker akzeptiert über seinen optischen Eingang PCM-Stereosignale bis zu einer Abtastfrequenz von 96 kHz / 24 Bit. Mehrkanalsignale von Audio-/Videoquellen (z. B. die Audiospuren eines Films auf DVD) können nicht wiedergegeben werden. Schließen Sie ein Glasfaserkabel mit einem TOSLINK-Anschluss an.

12 BT

Dieser USB-Eingang eignet sich für einen externen Bluetooth™ -Dongle mit kabelloser Audio-Streaming-Funktion und/oder zur Anpassung des DSP über eine APP auf Ihrem mobilen Endgerät. Auf der Website „www.musway.de“ finden Sie weitere Informationen oder fragen Sie Ihren Car-Audio-Händler.

13 DRC

Dieser Eingang ist für eine externe digitale Fernbedienung von MUSWAY geeignet. Auf der Website „www.musway.de“ finden Sie weitere Informationen oder fragen Sie Ihren Car-Audio-Händler.

14 USB

Dieser USB-Eingang ist für die Verbindung mit einem PC / Laptop-Computer geeignet, um die Funktionen der MUSWAY DSP-Software zur Einrichtung der DSP-Funktionen des Verstärkers zu verwalten. Die Verbindung ist USB 1.1 / 2.0 / 3.0 kompatibel. Zum Herunterladen der Software besuchen Sie bitte „www.musway.de/dsp“.

SYSTEMKONFIGURATION

Um sämtliche Ein- und Ausgänge, den EQ und Laufzeitkorrektur für den Verstärker zu konfigurieren, muss eine Verbindung mit einem PC/Laptop hergestellt werden. Wenn Sie an diesen Punkt kommen, müssen Sie bereits wissen, welche Art von System Sie einrichten möchten. Um Komplikationen bei der Vorbereitung zu vermeiden, legen Sie folgende Punkte fest bevor Sie beginnen:

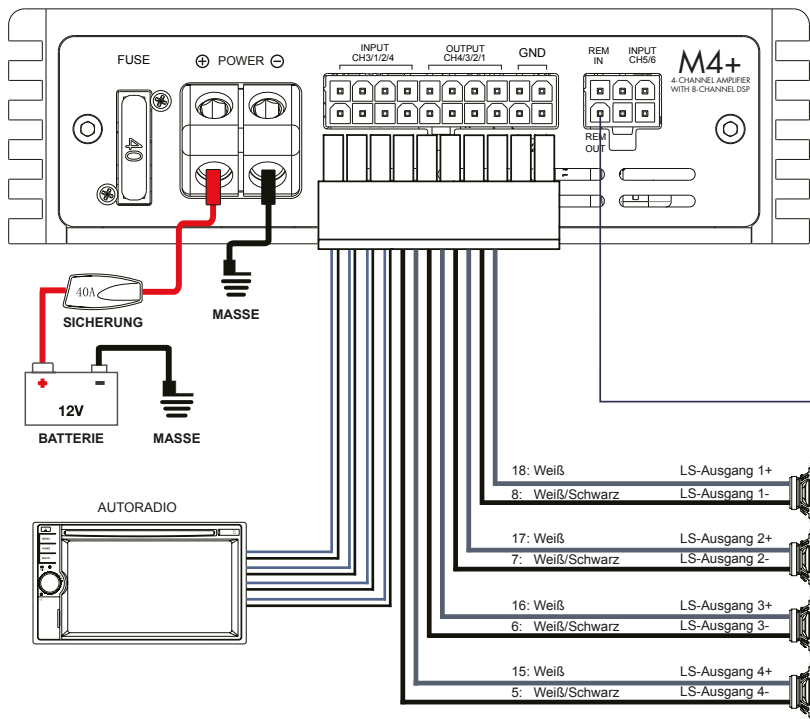
- Die Art der Signale, die den Eingängen zugewiesen werden (z. B. vorne links oder Mitte oder Subwoofer usw.).
- Die Belegung der Lautsprecher im System (z. B. 3-Wege-Front oder Sub-Stereo oder 2-Wege-Rückseite, etc.).
- Ob eine passive Frequenzweichenschaltung verwendet wird, (z. B. 3-Wege-Systeme mit aktivem Mitteltöner).
- Ob Sie einen externen Monoverstärker zum Ansteuern eines Subwoofers verwenden möchten.
- Ob Sie beabsichtigen, die verstärkten Ausgänge des Verstärkers zu brücken (BLT-Modus), denn dadurch erhöht sich die Leistung am Ausgang.



ACHTUNG

Bevor Sie das System einschalten, stellen Sie den Ausgangspegel des Autoradios auf einen niedrigeren Pegel ein (ca. 20% der maximalen Auslenkung), um eine Beschädigung der Lautsprecher während der Konfiguration zu vermeiden.

TYPISCHE ANWENDUNG

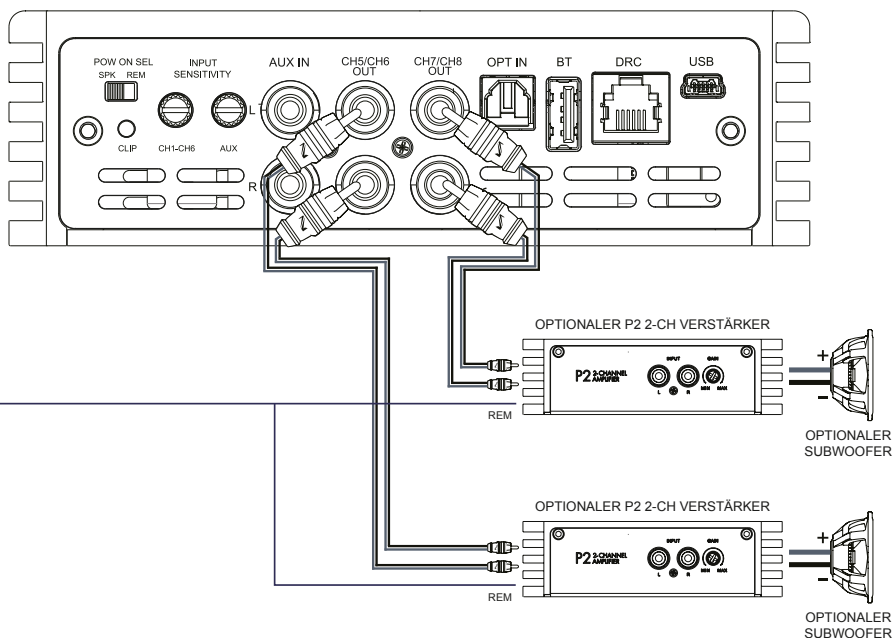


KONFIGURATION

VERSTÄRKTE AUSGANGSKANÄLE CH1-CH4	
STEREO MODUS	GEBRÜCKTER MODUS
CH1 100 W @ 4 Ohm / 135 W @ 2 Ohm CH2 100 W @ 4 Ohm / 135 W @ 2 Ohm	CH1+ (+) / CH2- (-) 270 W @ 4 Ohm
CH3 100 W @ 4 Ohm / 135 W @ 2 Ohm CH4 100 W @ 4 Ohm / 135 W @ 2 Ohm	CH3+ (+) / CH4- (-) 270 W @ 4 Ohm

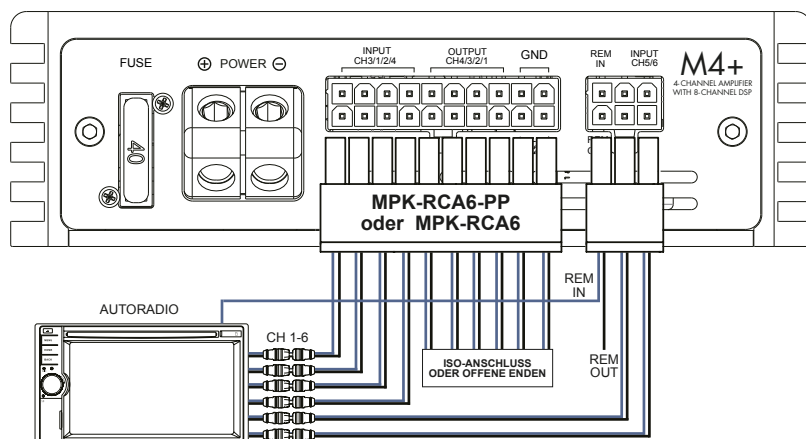
@ 13.8VDC, 1% THD

TYPISCHE ANWENDUNG

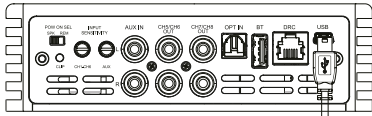


ANSCHLUSS DER OPTIONALEN NIEDERPEGELEINGÄNGE

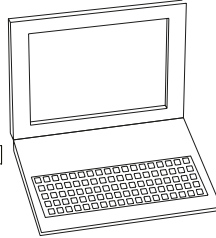
Wenn Sie den Verstärker mit Niederpegelsignalen (z.B. mit den Vorverstärkerausgängen des Autoradios) ansteuern möchten, beachten Sie bitte die Hinweise auf Seite 32.



ERSTER SYSTEM START



DSP Software-Download:
www.musway.de/dsp



Empfohlene Spezifikationen:

CPU:	1.6 GHz oder höher
RAM:	1 GB oder höher
HDD:	512 MB oder höher verfügbarer Speicherplatz
Display:	1024×576 oder höher
OS:	Microsoft™ Windows XP, Vista, 7, 8 oder höher

- Laden und speichern Sie die MUSWAY DSP-Software, bevor Sie den Verstärker an Ihren PC anschließen.
- Installieren Sie den Verstärker in Ihrem Fahrzeug, bevor Sie einen Computer an ihn anschließen.
- Den Zündschlüssel in die Stellung ACC oder ON drehen.
- Schließen Sie einen PC/Laptop über das mitgelieferte USB-Kabel an den Verstärkers an.
- Nachdem Sie die DSP-Software geöffnet haben, können Sie alle Einstellungen am Computer anpassen.
- Der Verstärker ist eingeschaltet, wenn das Logo auf der Oberseite orange leuchtet. Nach etwas 10 Sekunden ist der Verstärker samt DSP steuerbar.

VOR DEM ERSTEN GEBRAUCH DES GERÄTS

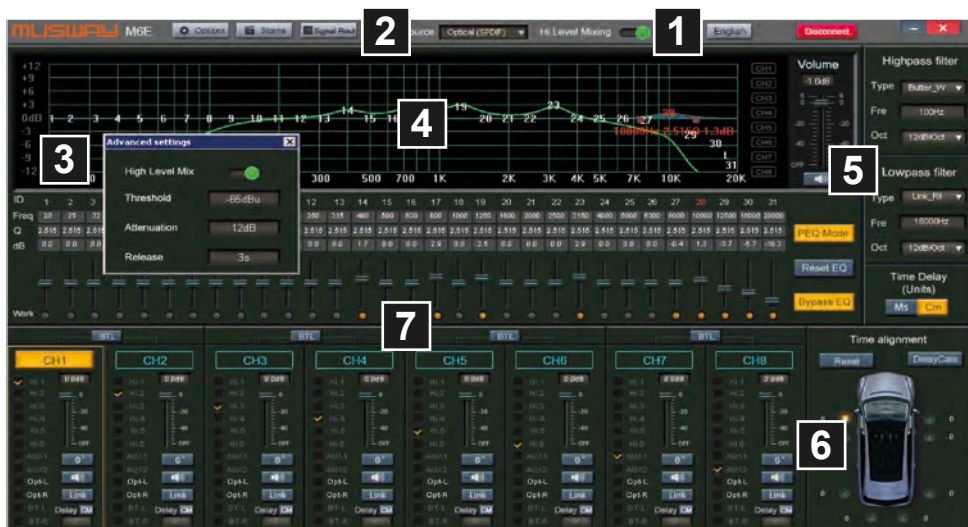
Stellen Sie bei der ersten Verwendung des Geräts Folgendes ein:



ACHTUNG

Bevor Sie das Soundsystem einschalten, überprüfen Sie nochmals sorgfältig die Konfiguration der Frequenzweichen und Lautsprecher. Eine falsch eingestellte Frequenzweiche oder ungeeignete Parameter können zu dauerhaften Schäden an den Lautsprechern führen, insbesondere an Hochtönern ohne passive Frequenzweichen.

DSP SOFTWARE



1 FUNKTIONELL UND MULTILINGUAL

Die PC-Software zur Steuerung des DSP bietet eine übersichtliche GUI mit der die wichtigsten Funktionen in einem Menü zusammengefasst sind. Als Bediensprache sind mehrere Sprachen verfügbar.

2 EIN- UND AUSGANGSBELEGUNG

Mit der umfangreichen Belegung der Ein- und Ausgänge ist jedes erdenkliche Signalrouting möglich, was dank der brückbaren Lautsprecherausgänge ungeahnte Möglichkeiten entfaltet.

3 HIGH LEVEL MIX

Die High Level Mix-Funktion ist ein geniales Feature, mit der sämtliche Eingänge zum augenblicklich eingestellten Hauptsignal dazu gemischt werden können. Der Schwellenwert, die Abschwächung sowie die Haltezeit ist frei einstellbar. Dies ist dann besonders sinnvoll, wenn gerade der Audio Stream als Hauptquelle spielt und im Radio eine Verkehrsdurchsage erfolgt. Ist dort eingestellt, dass jede Meldung automatisch lauter wiedergegeben wird, erkennt dies der High Level Mixer und mischt das Radiosignal ohne Unterbrechung bei.

4 PARAMETRISCHER 31-BAND EQUALIZER

Die EQ-Sektion lässt keine Wünsche offen: grafische Echtzeitdarstellung, einstellbarer Q-Wert sowie eine separate volle Kontrolle über alle Kanäle samt Bypass-Funktion.

5 UMFANGREICHE FILTERSEKTION

Neben der für Hoch- & Tiefpassfilter getrennt einstellbaren Flankensteilheit sind zudem verschiedenen Charakteristiken auswählbar. Jeder Kanal ist separat einstellbar und das Ausgangssignal an AUX kann frei konfiguriert werden.

6 AUTOMATISCHE LAUFZEITBERECHNUNG

Hier kann jeder angeschlossene Lautsprecher durch Eingabe der Entfernung in Zentimetern zur akustischen Bühnenmitte perfekt eingestellt werden. Nach Eingabe wird automatisch die korrekte Laufzeitverzögerung für den jeweiligen Lautsprecher ermittelt.

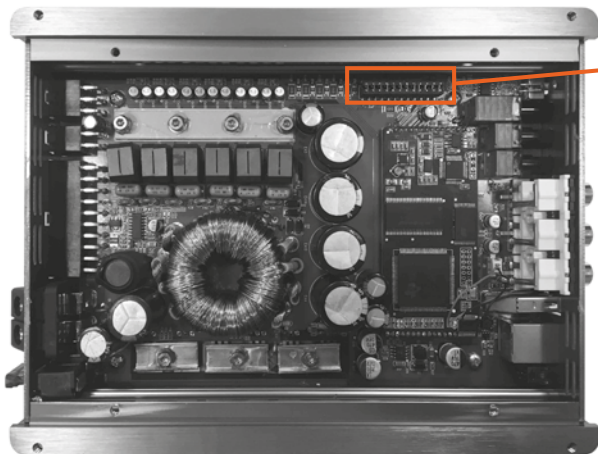
7 KANALMIXER

Hier kann jeder Kanal individuell oder per Verlinkung ein beliebiges Kanalpaar synchron bearbeitet werden. Hier kann auch die Lautstärke oder die Phasenlage gesteuert werden.

NIEDERPEGELEINGANG CH1-6 (OPTIONAL)

Beachten Sie folgende Anweisungen, um die Eingangssignalsektion CH1-6 vom Hochpegelmodus (High Level) in den Niederpegelmodus (Low Level) zu konfigurieren:

1. Entfernen Sie die Bodenplatte des Verstärkers, indem Sie die vier Schrauben lösen.
2. Im markierten Bereich auf dem Bild unten befindet sich eine Steckbrücke.
3. Entfernen Sie diese Steckbrücke vorsichtig mit einer geeigneten Zange.



ACHTUNG

Führen Sie diesen Schritt erst durch, nachdem das Gerät von der Stromversorgung getrennt wurde.

OPTIONALE RCA/CINCH-ADAPTERKABELSETS FÜR DEN ANSCHLUSS VON NIEDERPEGELSIGNALEN

Wenn der Verstärker eingangsseitig auf den Kanälen 1-6 (CH1-6) mit Niederpegelsignalen, z.B. mit den Vorverstärkerausgängen des Autoradios verbunden werden soll, empfehlen wir zur Verkabelung die optional erhältlichen MUSWAY RCA/Cinch-Adapterkabelsets wie folgt:

MPK-RCA6-PP*

Dieses zweiteilige Set eignet sich ideal für ein bereits vorhandenes Soundsystem mit einem M4+ DSP-Verstärker, der über fahrzeugspezifische ISO-Kabel (MPK-ISO25 oder MPK-ISO50) angeschlossen ist. Insgesamt stehen 6 Cinch-Eingänge zum Anschluss der Vorverstärkerausgänge inkl. eines Remote In- und Out-Kabels zur Verfügung. Die verstärkten Lautsprecherausgangskanäle 1 bis 4 enden in einem ISO-Stecker, der mit den bereits werkseitig verkabelten Lautsprechern verbunden werden muss.

MPK-RCA6*

Dieses zweiteilige Set eignet sich ideal für die Verwendung des DSP-Verstärkers M4+ in einer Standardinstallation mit Nachrüstkomponenten. Insgesamt stehen 6 Cinch-Eingänge zum Anschluss der Vorverstärkerausgänge inkl. eines Remote In- und Out-Kabels zur Verfügung. Die verstärkten Lautsprecherausgangskanäle 1 bis 4 enden an losen Kabeln, um die entsprechenden Nachrüstlautsprecher anschließen zu können.

***HINWEIS:** Bei beiden Sets erfolgt die Verkabelung der Kanäle 5-6 (CH5-6) wie gewohnt über den auf Seite 25 (Abschnitt 4) beschriebenen 4-poligen Kabelstecker.

FEHLERBEHEBUNG

Fehler: *keine Funktion*

Ursache:

1. Die Stromversorgungskabel sind nicht korrekt angeschlossen.
2. Die Kabel haben keinen elektrischen und mechanischen Kontakt.
3. Die Remote-Steuerleitung des Autoradios ist nicht korrekt am Verstärker angeschlossen.
4. POW ON SEL Schalterstellung nicht korrekt
5. Sicherungen defekt. Achten Sie beim Austausch auf den korrekten Wert der Sicherungen.

Lösung:

- Erneute Überprüfung
- Erneute Überprüfung
- Erneute Überprüfung
- Erneute Überprüfung
- Sicherungen ersetzen

Fehler: *kein Ton aus Lautsprecher, aber das Logo auf dem Verstärker leuchtet*

Ursache:

1. Die Lautsprecherkabel oder Signalkabel sind nicht korrekt angeschlossen.
2. Die Lautsprecherkabel oder Signalkabel sind defekt.
3. Die Lautsprecher sind defekt.
4. HP Regler in Betriebsart LP/BP zu hoch eingestellt.
5. Kein Signal vom Autoradio.
6. Falsche Audioquelle ausgewählt, die nicht angeschlossen ist (z.B. AUX IN)
7. In der DSP-Software ist z.B. „Mute“ für einen oder alle Kanäle aktiviert.
8. Lautstärke an der Fernbedienung ist zu niedrig eingestellt.

Lösung:

- Erneute Überprüfung
- Kabel ersetzen
- Lautsprecher ersetzen
- Regler herunterdrehen
- Autoradio-Einstellungen überprüfen
- Auswahl überprüfen
- Einstellungen überprüfen
- Volume-Regler höher drehen

Fehler: *Ein bzw. mehrere Kanäle oder Regler sind ohne Funktion / fehlerhaftes Stereobild*

Ursache:

1. Der Balance- bzw. Fader-Regler am Autoradio ist nicht in der Mittel-Position.
2. Ein Kabel an Lautsprecher oder Verstärker hat sich gelöst.
3. Die Lautsprecher sind defekt.
4. HP Regler in Betriebsart LP/BP zu hoch eingestellt.
5. In der DSP-Software ist ein oder mehrere Kanäle falsch eingestellt.

Lösung:

- Auf Nullwert stellen
- Erneute Überprüfung
- Lautsprecher ersetzen
- Regler herunterdrehen
- Einstellungen überprüfen

Fehler: *Verzerrungen aus Lautsprecher*

Ursache:

1. Die Lautsprecher sind überlastet.

Lösung:

- Pegel niedriger einstellen
- Pegel am Autoradio niedriger einstellen
- Loudness am Autoradio abschalten
- Bass EQ am Steuergerät neu einstellen

Fehler: *Keine Bässe bzw. kein Stereo-Sound*

Ursache:

1. Beim Anschluss sind an den Lautsprechern ist die Polarität vertauscht worden.
2. Die Signalkabel sind lose, falsch angeschlossen oder beschädigt/defekt.
3. In der DSP-Software ist ein oder mehrere Kanäle falsch eingestellt.

Lösung:

- Erneuter anschließen
- Erneuter anschließen oder ersetzen
- Einstellungen überprüfen

Fehler: *Verstärker schaltet in den Schutz-Modus*

Ursache:

1. Kurzschluss an den Lautsprechern bzw. Kabeln.
2. Überhitzung durch zu niedrige Impedanz der Lautsprecher.
3. Mangelnde Luftzufuhr durch ungünstigen Einbau-Ort des Verstärkers.
4. Überlastung durch Strommangel (zu dünne Kabelquerschnitte bei den Stromkabeln).

Lösung:

- Erneuter korrekter Anschluss
- Höhere Impedanz wählen
- Neue Lautsprecheranordnung wählen
- Anderer Einbauort wählen
- Für Luftzufuhr sorgen
- Größerer Kabelquerschnitt installieren

Fehler: *Rauschen aus den Lautsprechern*

Grund:

1. Die GAIN-Regler in der DSP-Software sind zu hoch eingestellt.
2. Der TREBLE-Regler am Steuergerät ist zu hoch aufgedreht.
3. Die Lautsprecherkabel oder Cinchkabel sind defekt oder beschädigt.
4. Das Rauschen kommt vom Steuergerät.

Lösung:

- Pegel niedriger einstellen
- Am Autoradio niedriger einstellen
- Kabel ersetzen
- Autoradio überprüfen



DRC1

With the DRC1 remote control, it is possible to control the overall volume and the subwoofer level on the amplifier. You can also select the input signal, the subwoofer level channel pair and the DSP preset. A short press on the rotary knob also mutes the entire sound system. Thanks to the OLED display, the DRC1 is clearly arranged and only needs to be connected to the amplifier with the enclosed connection cable (5.00 m).

Mit der DRC1 Fernbedienung ist es möglich, am Verstärker die Gesamtlautstärke und den Subwoofer-Pegel zu regeln. Zudem kann das Eingangssignal, das Kanalpaar für den Subwooferpegel sowie das DSP-Preset ausgewählt werden. Durch kurzes Drücken auf den Drehknopf ist ebenfalls eine Stummschaltung des kompletten Soundsystems möglich. Dank der OLED-Anzeige ist die DRC1 übersichtlich zu bedienen und muss lediglich mit dem beiliegenden Anschlusskabel (5,00 m) an den Verstärker angeschlossen werden.



BTS

The BTS dongle features an audio streaming function that lets you wirelessly transfer music from your mobile device to the DSP amplifier. Simply connect the dongle to the DSP amplifier via USB and select the Bluetooth® input via software or the optional DRC1 remote control.

Der BTS Dongle bietet eine Audio Streaming-Funktion, mit der Sie von Ihrem Mobilgerät kabellos Musik an den DSP Verstärker übertragen können. Dazu müssen Sie den Dongle einfach nur über USB an den DSP Verstärker anschließen und per Software oder der optionalen Fernbedienung DRC1 den Bluetooth® Eingang wählen.



BTA

The BTA dongle features an audio streaming function that lets you wirelessly transfer music from your mobile device to the DSP amplifier. Simply connect the dongle to the DSP amplifier via USB and select the Bluetooth® input via software or the optional DRC1 remote control. Besides the audio streaming function, the BTA dongle offers the possibility of configuring and controlling the DSP amplifier via smartphone/tablet. The app can be downloaded for iOS in the App Store and for Android® under Google Play for free.

Der BTA Dongle bietet eine Audio Streaming-Funktion, mit der Sie von Ihrem Mobilgerät kabellos Musik an den DSP Verstärker übertragen können. Dazu müssen Sie den Dongle einfach nur über USB an den DSP Verstärker anschließen und per Software oder der optionalen Fernbedienung DRC1 den Bluetooth® Eingang wählen. Neben der Audio Streaming-Funktion bietet der BTA Dongle noch die Möglichkeit, die Konfiguration und die Steuerung des DSP Verstärkers per Smartphone/Tablet vorzunehmen. Die dazugehörige APP ist für iOS im App Store und für Android unter Google Play kostenlos herunterzuladen.



P2

The super-compact P2 amplifier is the perfect complement to the DSP-tuned preamp outputs. The mini-power pack, that fits in one hand, acts as a pure amplification module without any filter section. Only the input sensitivity can be adjusted - true to the motto: PURE AMPLIFICATION. The highly efficient digital technology with an astonishing degree of efficiency of up to 83%, makes it possible to drive a medium-sized subwoofer with 210 Watts RMS @ 4 Ohms bridged or to supply a high-quality stereo loudspeaker system with 2 x 105 Watts RMS @ 2 Ohms.

Der super-kompakte Verstärker P2 ist die perfekte Ergänzung für die vom DSP getunten Vorverstärker-Ausgänge. Das in eine Hand passende Mini-Kraftpaket fungiert dabei als reines Verstärkungsmodul ohne Filtersektion. Lediglich die Eingangsempfindlichkeit kann eingestellt werden – getreu dem Motto: PURE AMPLIFICATION. Die höchst effiziente Digitaltechnik mit einem erstaunlichen Wirkungsgrad von bis zu 83 % erlaubt es somit ohne Probleme einen mittelgroßen Subwoofer mit 210 Watt RMS @ 4 Ohm gebrückt anzutreiben oder mit 2 x 105 Watt RMS @ 2 Ohm ein hochwertiges Stereo-Lautsprecher-System zu versorgen.

MUSWAY

MUSIC IS THE WAY



MUSWAY is a brand of Audio Design GmbH
Am Breilingsweg 3 · D-76709 Kronau
Tel. +49 7253 - 9465-0 · Fax +49 7253 - 946510
© Audio Design GmbH, All Rights Reserved

www.musway.de

TECHNIK FÜR KLANGBEGEISTERTE